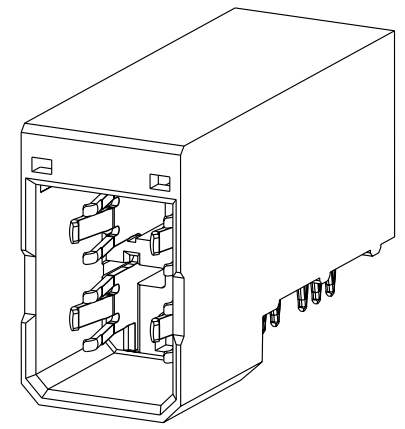
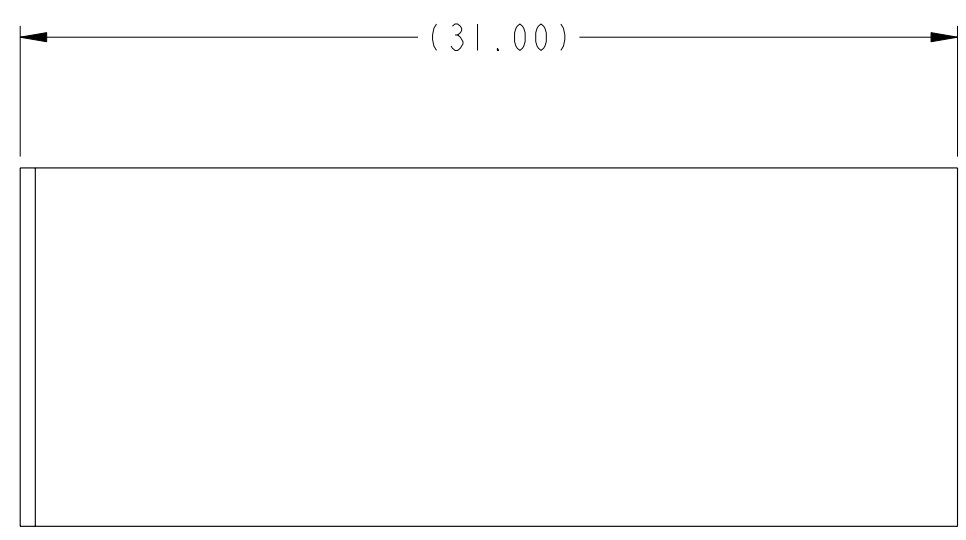


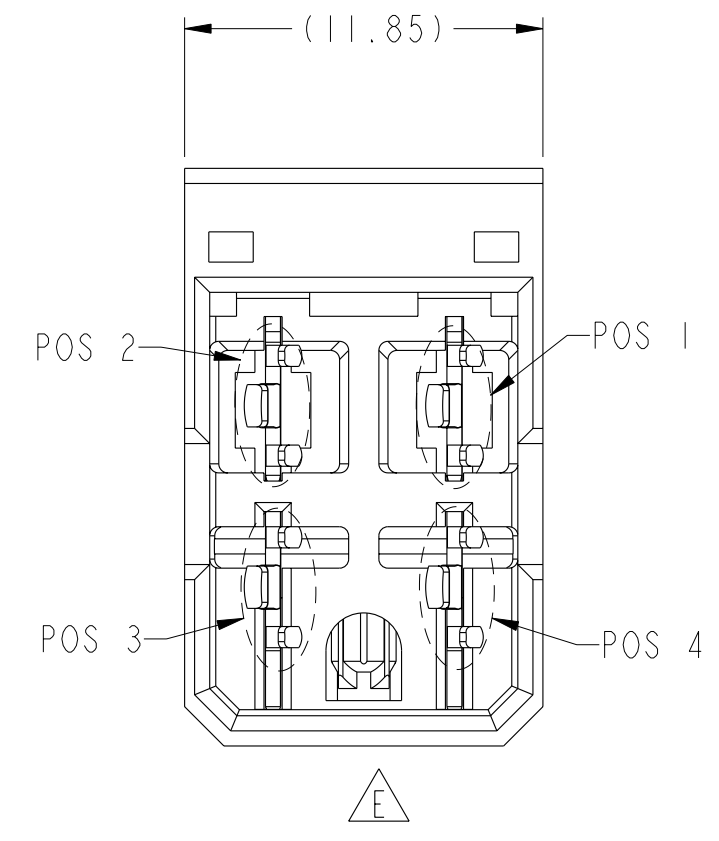
PRODUCT NUMBER (SEE NOTE 2)	CONTACT PLATING		ROHS COMPATIBILITY
	SEPARABLE INTERFACE	PRESS-FIT TAIL	
10028917-001	0.76um MIN GOLD OVER NICKEL	0.5um MIN TIN-LEAD OVER NICKEL	N/A
10028917-001LF		0.5um MIN MATTE TIN OVER NICKEL	SEE NOTE 8



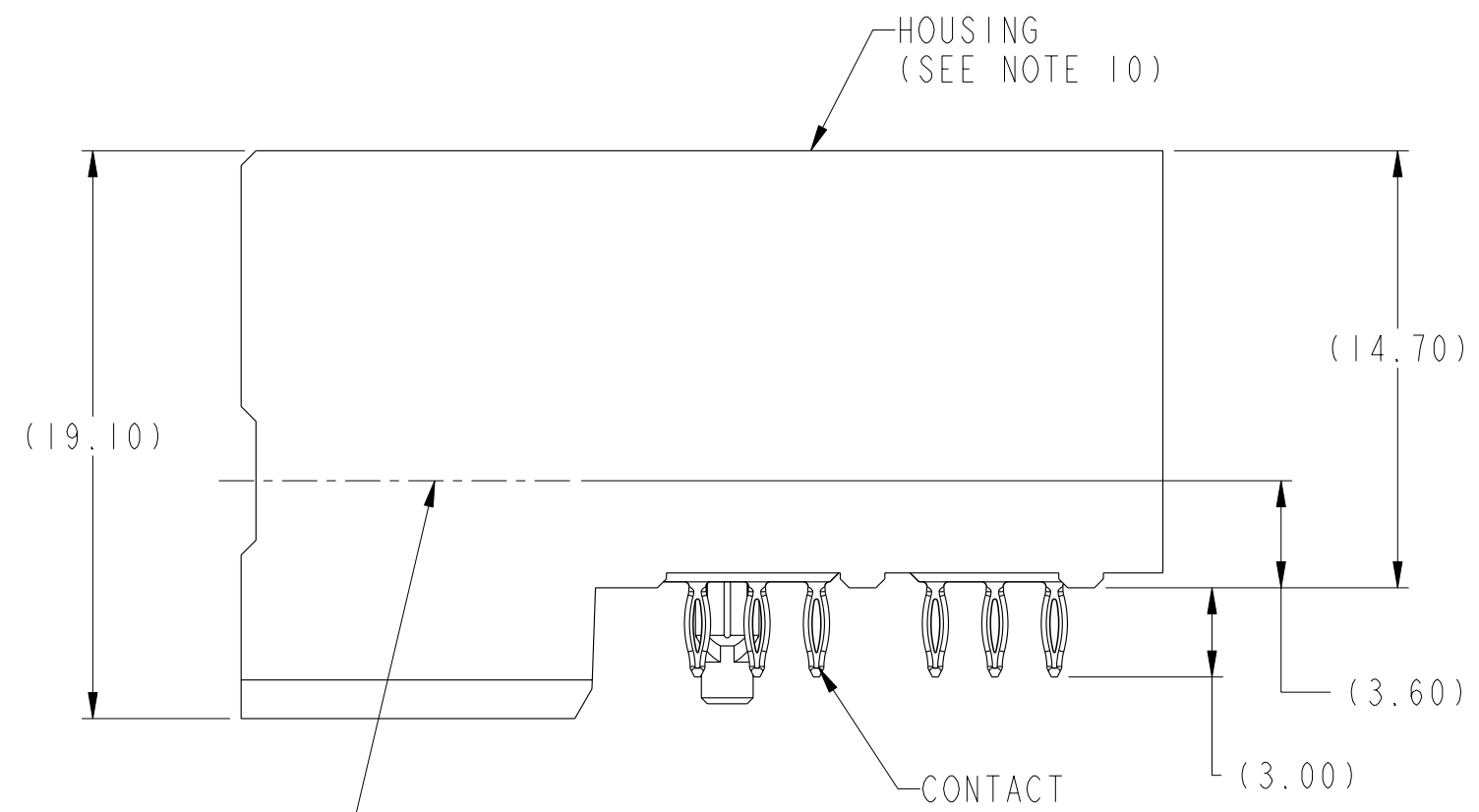
SCALE 2:1



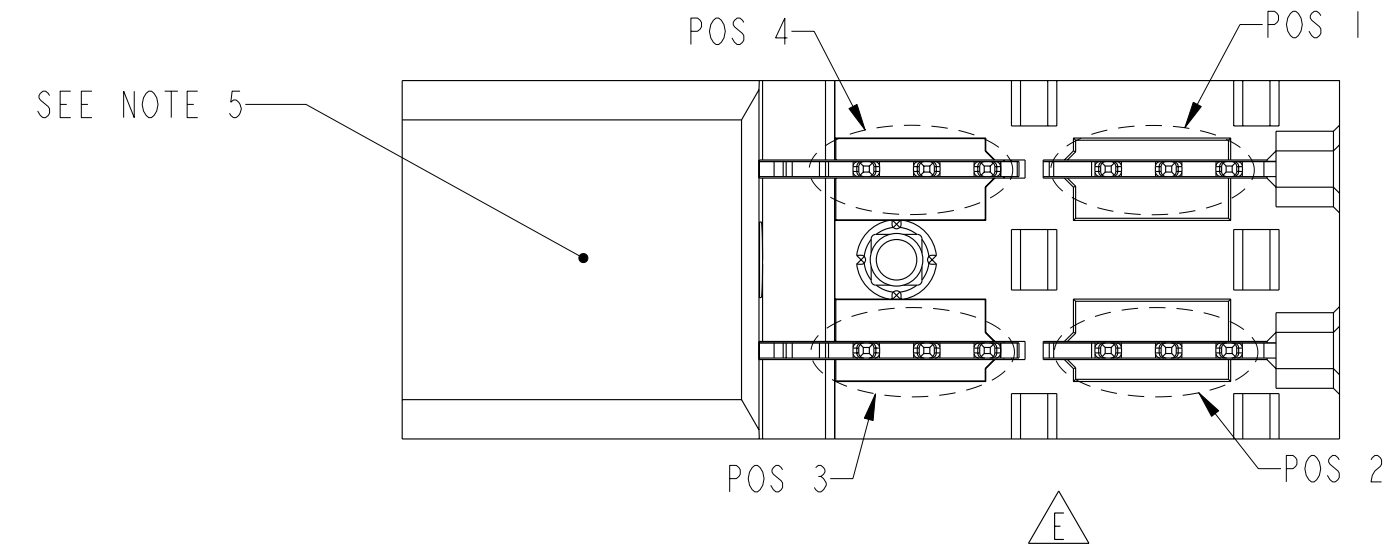
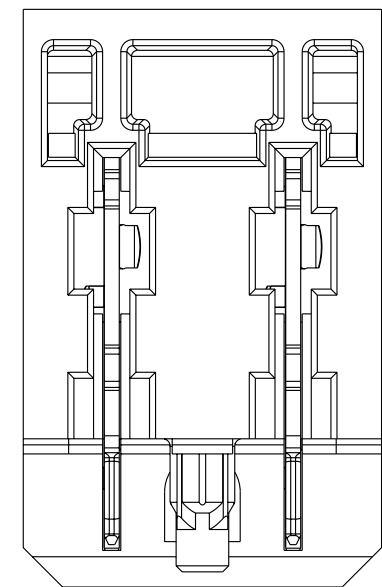
△ E



△ E



⌀ OF MATING SHROUD



△ E

Copyright FCI.
FCI

www.fciconnect.com		surface ASME Y14.5	tolerance std ASME Y14.5	projection ASME Y14.5	MM
		TOLERANCES UNLESS OTHERWISE SPECIFIED		size A2	Scale 4:1
Dr	W. J. SWAIN	2003-05-23	ANGULAR	0.X	±.3
Eng	W. J. SWAIN	2003-05-23	LINEAR	0.XX	±.1
Chr	C. H. TAN	2008-09-02	0° ±2°	0.XXX	±.050
Appr	JOEY NG	2008-09-02	Product family 2mm High Power		Spec ref GS-12-220
FCI		title HEADER ASSEMBLY, 2X2, POWER		dwg no 10028917	Rev. E
catalog no		CUSTOMER		sheet 1 of 2	

rev	ecn no	dr	date
A	V04-0697	WJS	2004-07-07
B	V05-0150	WJS	2005-02-10
C	S05-0301	WJS	2005-10-24
D	S06-0412	LS	2006-12-21
E	S08-0287	YK	2008-09-02
-	-	-	-
-	-	-	-

